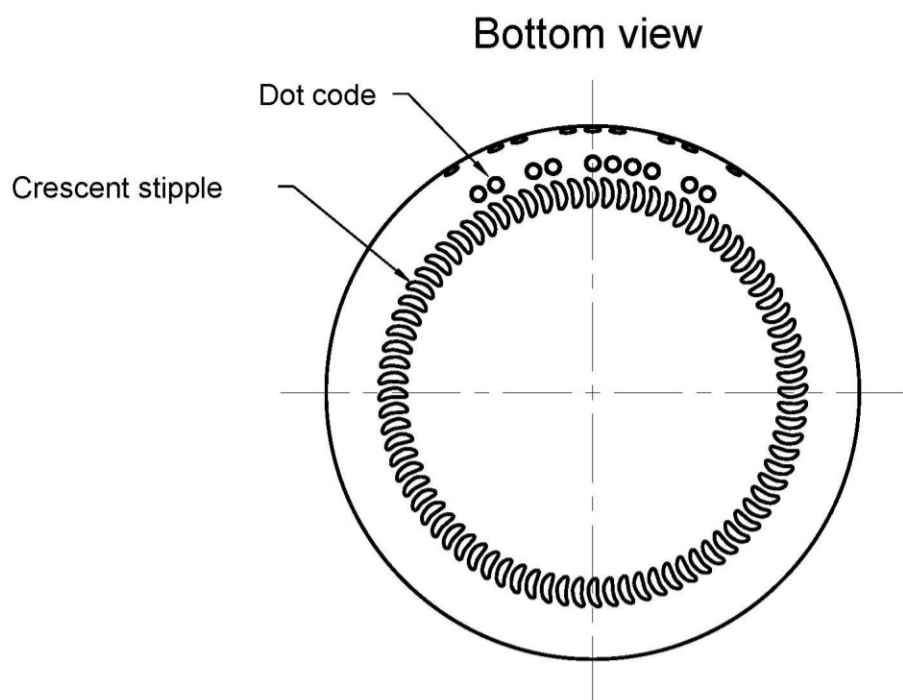
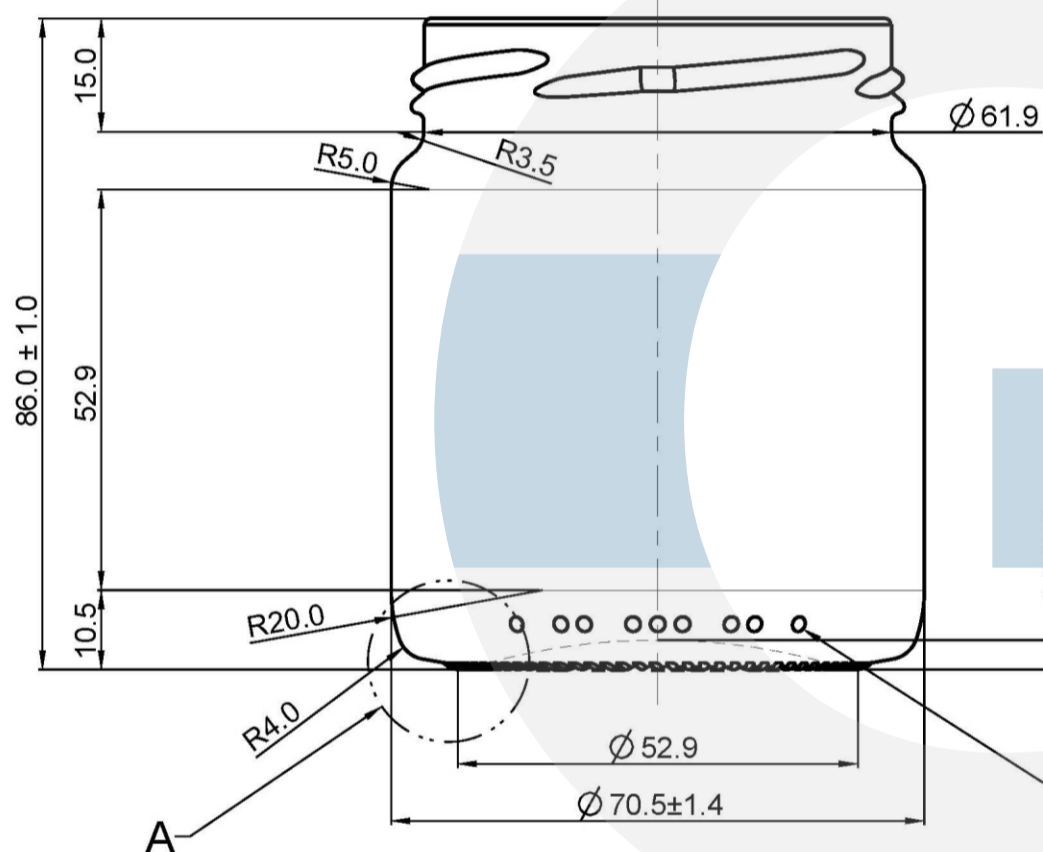


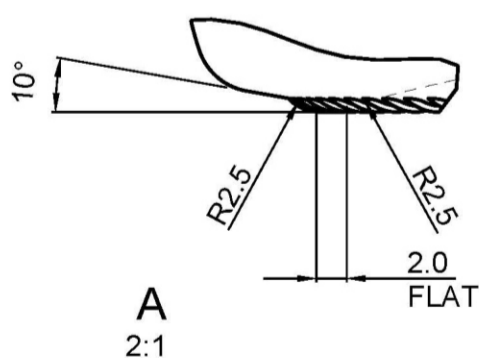
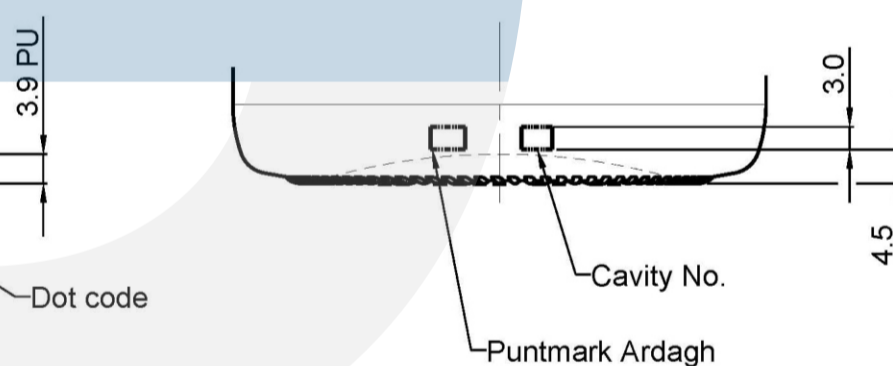
COLOUR	SAP SPEAKING NO	SAP MATERIAL NO
WHITE FLINT	30-08744 -0	30001044



Front view



Back view
Developed view of description



0.4 STIPPLE HEIGHT IS INCLUDED IN ALL DIMENSIONS FROM THE BASE

NOMINAL CAPACITY	-	SPECIFICATION AGREEMENTS ARE BASED ON TOLERANCED DIMENSIONS ONLY DO NOT SCALE DRAWING COPYRIGHT RESERVED, NOT TO BE COPIED IN WHOLE OR PART WITHOUT WRITTEN PERMISSION ALL DIMENSIONS ARE IN MILLIMETERS Document supervised by SAP, cProject and Windchill PDMLink systems	Product & Mould Design Glass - Europe			
BRIMFUL CAPACITY	250.0 ml ± 0.4 ml					
VACUITY	-					
FINISH DESCRIPTION	Twist Off 66		DESIGNER	ReynerA	SHEET	1 / 1
FINISH NUMBER	AF05010		DATE	20.03.2020	SCALE	1:1 (A3)
FINISH NORM	CE.T.I.E. GME 20.06:1995		CUSTOMER	STD	PROJECT	200690
MINIMUM THROUGH BORE	-		PRODUCT NAME			
WEIGHT NOMINAL	160 g		250ml STD JAR			
USAGE	NON RETURNABLE		SAP MATERIAL NAME			
CARBONATION	-	C Finish changed to AF05010	AM	-	STD JAR 250 C30 66TO[]	
TILT ANGLE	40.2°	B D23075B replaces D19041C	BarkerC	-	OLD NUMBER D19041C	
		A First drawing (finish changed from AF05010)	ReynerA	-	DRAWING NO. D23075 C	
		REVISION	DSG	CHK	PRODUCT CODE 08744 -0	
				DATE		